

nERGY® bluePRINT®

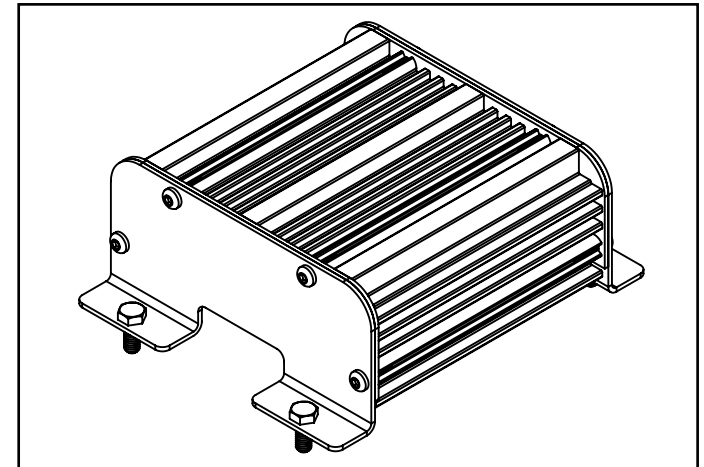
200R SIREN PART NUMBER: ENGSA03021

The 200R Siren is a compact siren that has a small size and remote amplifier for tight spaces for undercover vehicles or motorcycles.

- Class D Technology with high speed digital switching provides higher efficiency, less current draw and better reliability.
- Operates a single 100 watt speaker.
- 20 popular tones (up to 5 tones can be activated from Central Controller Commands):
 - wail
 - yelp
 - piercer
 - hi-lo and super hi-lo plus 4 additional air horn tones available.
- Contains a horn-cut relay to disable the OEM horn when the Horn-Ring (Hands-Free) system feature is enabled.
- Public Address (PA) and (RR) volume levels set via system control panel.
- Park/Kill feature disables the siren when the vehicle is placed in Park.
- Built-in protection against over/under voltage, over temperature, short circuit and reverse polarity.

⚠ WARNING

- HIGH CURRENT interconnects must be properly terminated. Poor crimp quality can cause heat build-up and fire. Follow crimp connector manufacturer instructions.
- DO NOT install this product or route any wires in the Air Bag Deployment Zone. Refer to vehicle Owner's Manual for deployment zones.
- Do NOT use system to disconnect headlights, brake lights or other safety equipment.
- Unit may become hot to touch during normal operation.
- Failure to properly install connectors, fuses or wiring may cause vehicle failure or fire.
- Installation must only be performed by trained technician. Installer must determine vehicle wiring configuration and proper integration of system.
- Use proper wire gauge. All power wires connecting to positive (+) or negative (-) battery terminal or local chassis ground (-) must be sized to supply at least 125% of max. current and properly fused at power source.
- Install protective grommets when routing wire through firewall or metal.



Tech Specs	nERGY Control System 200R Siren
Input Voltage:	10-16Vdc (Negative Ground)
Maximum Input Current:	8 Amps @ 13.6 Vdc (100W Speaker)
Outputs:	100W
Sleep Current:	<1 mA
Inputs:	1x Horn Ring Input 1x Park Kill 1x CP Back Light 1x Radio Rebroadcast 1x PA
High Voltage Protection:	30Vdc will cause siren output to cease, resume at normal
Low Voltage Protection:	<9.0 Volts will cause siren output to cease and will resume when system voltage is above 10.0 Volts.
Operating Temp:	-40 °C to + 65 °C
Dimensions:	2.3"H x 5.4"W x 4.6"D
Weight, Boxed:	3 lbs.
Weight, Device Only:	.93 lbs.
Valid Input Threshold - High	>10.6V - Park Kill, PTT, Aux, Horn Ring >9.0V - Primary/Secondary Backlight
Valid Input Threshold - Low	<0.6V
200R Siren is hermetically sealed, providing protection in wet areas.	

NOTICE:

Installers and users must comply with all applicable federal, state and local laws regarding use and installation of warning devices.

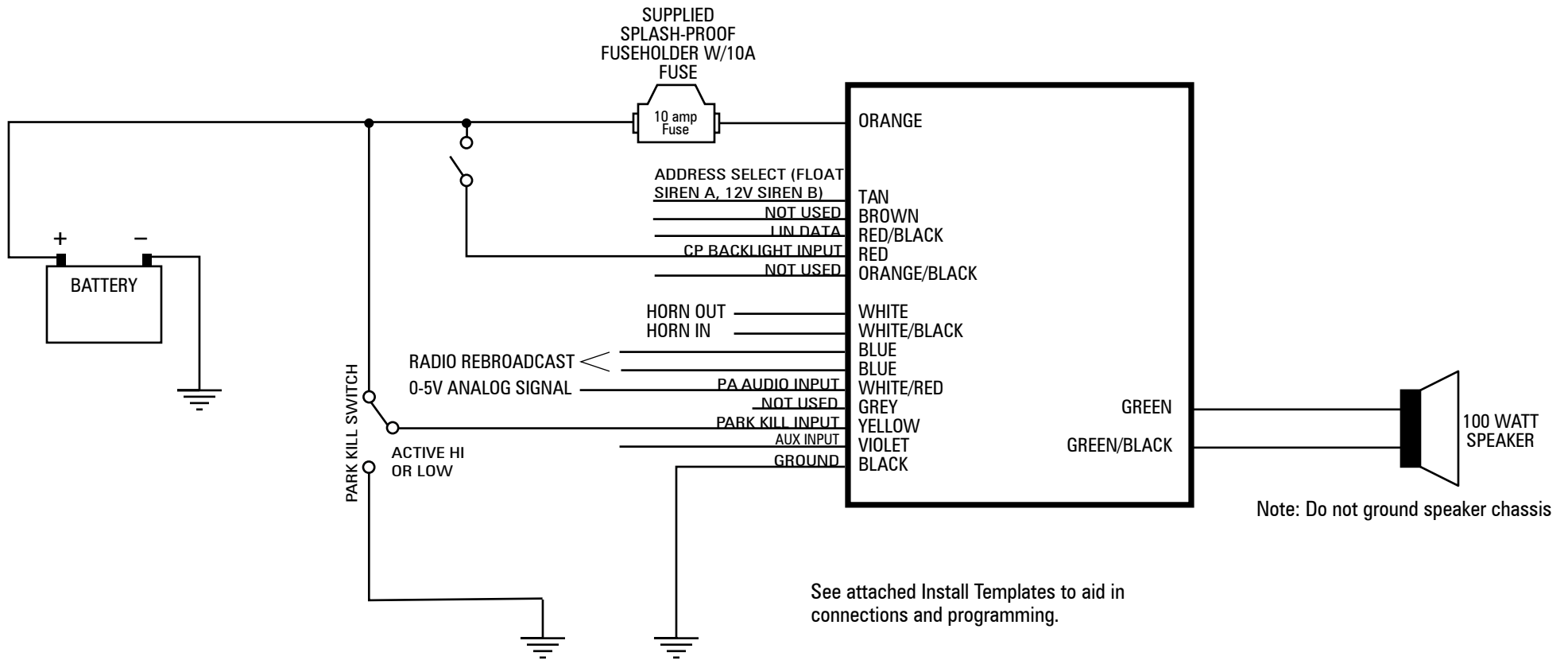
*Improper use or installation may void warranty coverage. To review our Limited Warranty Statement & Return Policy for this or any SoundOff Signal product, visit our website at www.soundoffsignal.com/sales-support. If you have questions regarding this product, contact **Technical Services**, Monday - Friday, 8 a.m. to 5 p.m. at **1.800.338.7337** (press #4 to skip the automated message). Questions or comments that do not require immediate attention may be emailed to techservices@soundoffsignal.com.*

SUPERIOR CUSTOMER RELATIONSHIPS. SMARTLY DESIGNED LIGHTING & ELECTRONIC SOLUTIONS.



nERGY® bluePRINT®

200R SIREN
PART NUMBER: ENGSA03021



NOTICE:

Installers and users must comply with all applicable federal, state and local laws regarding use and installation of warning devices.

Improper use or installation may void warranty coverage. To review our Limited Warranty Statement & Return Policy for this or any SoundOff Signal product, visit our website at www.soundoffsignal.com/sales-support. If you have questions regarding this product, contact **Technical Services**, Monday - Friday, 8 a.m. to 5 p.m. at 1.800.338.7337 (press #4 to skip the automated message). Questions or comments that do not require immediate attention may be emailed to techservices@soundoffsignal.com.

PRIMARY 200R SIREN NODE INSTALL TEMPLATE

Department: _____
 Vehicle: _____
 Installer / Date: _____
 Mounting Location: _____

SUPPLIED WITH SPLASH
 PROOF FUSEHOLDER
 W/10A FUSE
(POWER)

Primary Siren

Wire Color



DO NOT CONNECT

ADDRESS SELECT
 (FLOAT SIREN A, 12V SIREN B)

DATA (Central/Remote)

NOT USED

LIN DATA

NOT USED

NOT USED

ORANGE

TAN

BROWN

RED/BLACK

RED

ORANGE/BLACK

WHITE

WHITE/BLACK

BLUE

BLUE

RADIO REBROADCAST

RADIO REBROADCAST

PA AUDIO INPUT

NOT USED

PARK KILL

AUX INPUT

GROUND

WHITE/RED

GREY

YELLOW

VIOLET

BLACK

(Ground)

Wire Color



GREEN

GREEN/BLACK

PA Pre-Amp

Pin 3, PA OUT
 Pin 4, GROUND

Shielded
 Cable

Horn Cut

HORN OUT

HORN IN

RADIO REBROADCAST

RADIO REBROADCAST

PA AUDIO INPUT

NOT USED

PARK KILL

AUX INPUT

GROUND

RJ45 to Central Controller
 (CP Socket)

Remote Control Panel

Department: _____

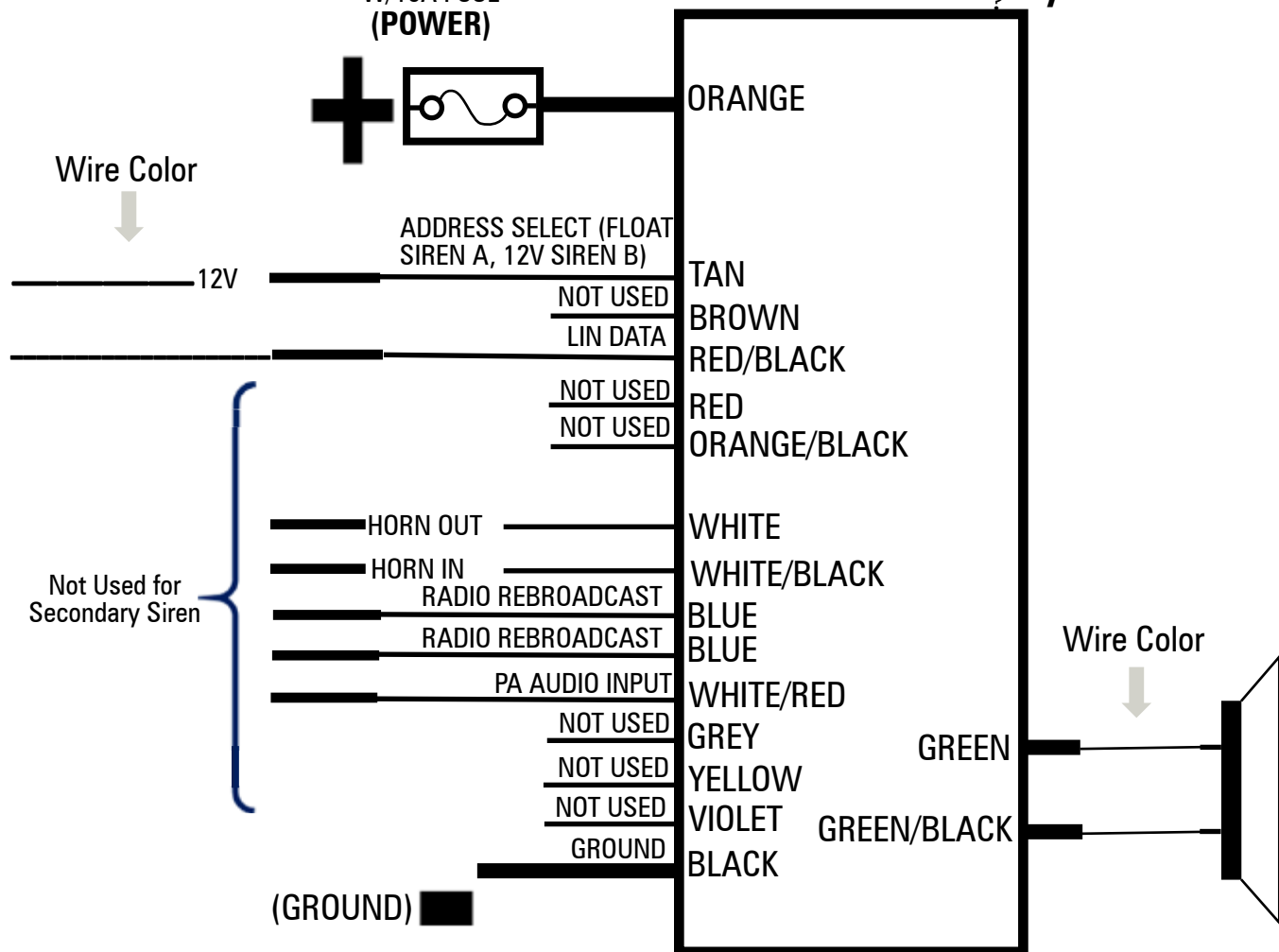
Vehicle: _____

Installer / Date: _____

Mounting Location: _____

SUPPLIED WITH SPLASH
PROOF FUSEHOLDER
W/10A FUSE
(POWER)

Secondary Siren



**PA Pre-Amp Not Used
for Secondary Siren**