

CENTRAL CONTROLLER INSTALL TEMPLATE

Department:

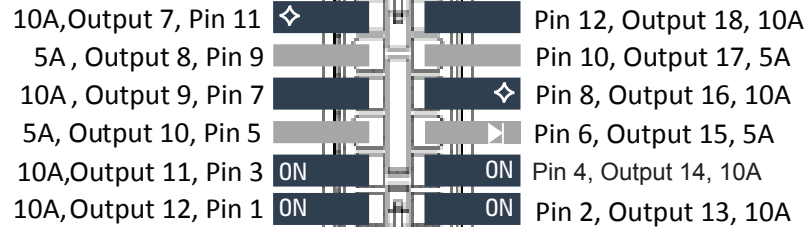
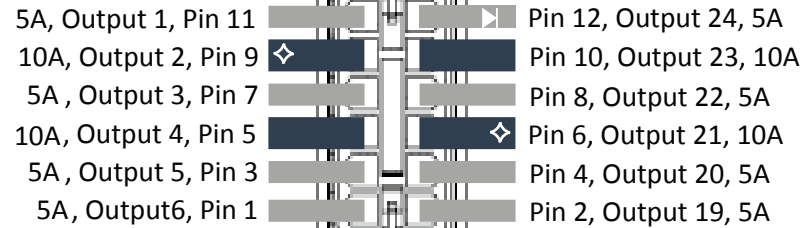
Vehicle:

Installer / Date:

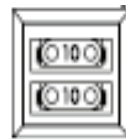
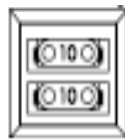
Mounting Location:



Wire Color Function

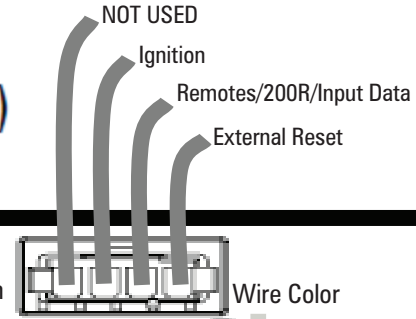


Always On, Output 11, 10A
Always On, Output 12, 10A



Always On, Output 14, 10A
Always On, Output 13, 10A

Function Wire Color



Wire Color

Serial:
Future Use

USB for
configuration &
diagnostics only

Serial:
Control Panel

Serial:
Lightbar

▷ = Backfeed Protection

◇ = Xenon Inrush